

Ideal ArtificialTM limbs Solution

(Prosthetics & Orthotics Health Care Organisation)
Technology Solutions from USA, UK, Scotland & Germany

Power Wheelchair
Light Weight



Toll Free : 18002700278
www.iasgroups.in

B-70 walking distance
from metro Gate-1
Lajpat Nagar II, Delhi-110024
info@iasgroups.in, agendrak57@gmail.com
Mob : +91-7835880155, Ph : 011-41074995

Ideal ArtificialTM limbs Solution

(Prosthetics & Orthotics Health Care Organisation)
Technology Solutions from USA, UK, Scotland & Germany

Toll Free : 18002700278
www.iasgroups.in

Model: FW495

Driving range: 15-20km

Max speed: 6km/h

N.W.: 41kg

Folded width: 310mm

Loading capacity: 100kg

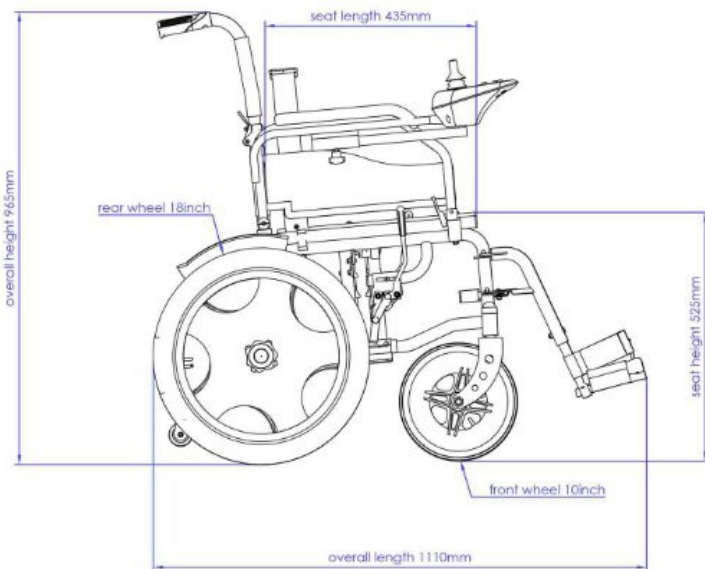
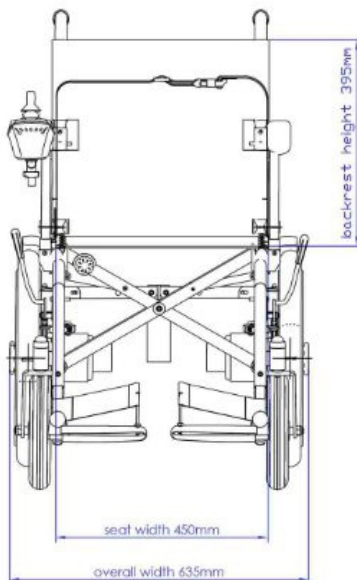
Motor: DC 180W

Battery: 12V 12AH *2Pcs

Controller: intelligent controller

Parking brake: full-automatic electromagnetic brakes

INR 99,300



B-70 walking distance from metro Gate-1 Lajpat Nagar II, Delhi-110024
info@iasgroups.in, agendrak57@gmail.com

Mob : +91-7835880155, Ph : 011-41074995

Ideal ArtificialTM limbs Solution

(Prosthetics & Orthotics Health Care Organisation)
Technology Solutions from USA, UK, Scotland & Germany

Toll Free : 18002700278
www.iasgroups.in

Model: FW639

Driving range: 15-20km

Max speed: 6km/h

N.W.: 37.7/43.2kg

Folded width: 350mm

Loading capacity: 100kg

Motor: DC 250W *2Pcs

(made in Taiwan)

Controller: intelligent controller

Battery: 12V 12AH *2Pcs

Foldable

Parking brake: full-automatic electromagnetic brakes

INR 138,600



Intelligent controller
Ingenious, simple, accurate,
full-intelligent, easy to operate.



Motor
Made in Taiwan, quick response,
full-automatic electromagnetic
brakes, more flexible and safer.

B-70 walking distance from metro Gate-1 Lajpat Nagar II, Delhi-110024
info@iasgroups.in, agendrak57@gmail.com

Mob : +91-7835880155, Ph : 011-41074995

Ideal ArtificialTMlimbs Solution

(Prosthetics & Orthotics Health Care Organisation)
Technology Solutions from USA, UK, Scotland & Germany

Toll Free : 18002700278
www.iasgroups.in

Model: FW630

Driving range: 15-20km

Max speed: 6km/h

N.W.: 41kg

Folded width: 310mm

Loading capacity: 100kg

Motor: DC 180W

Controller: intelligent controller

Battery: 12V 12AH *2Pcs

Parking brake: full-automatic
electromagnetic brakes

Total Folding Scooter

INR 126,000



360 degree rotating seat
The seat has five-side expanding steel
rotation function. It is convenient
for the elderly and disabled to get
on and off the scooter.



Adjust seat height
According to user height,
adjust the seat height easily.



B-70 walking distance from metro Gate-1 Lajpat Nagar II, Delhi-110024
info@iasgroups.in, agendrak57@gmail.com

Mob : +91-7835880155, Ph : 011-41074995

Ideal ArtificialTM limbs Solution

(Prosthetics & Orthotics Health Care Organisation)
Technology Solutions from USA, UK, Scotland & Germany

Toll Free : 18002700278
www.iasgroups.in

Model: FW450

Driving range: 15-20km

Max speed: 6km/h

N.W.: 40.4/45.7kg

Folded width: 410mm

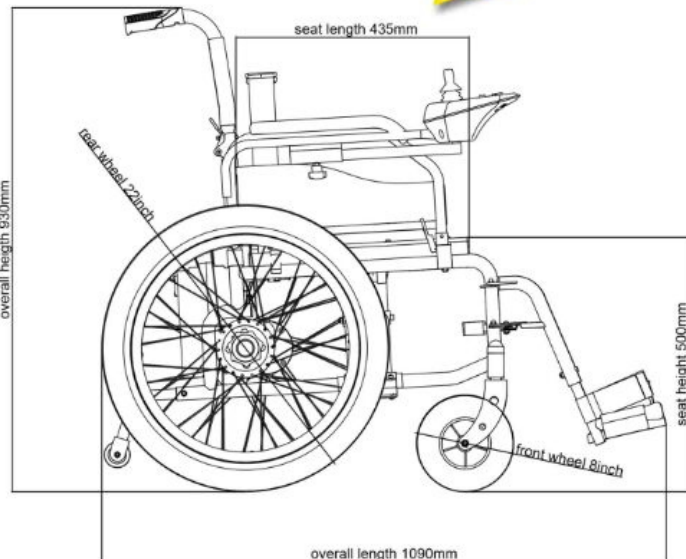
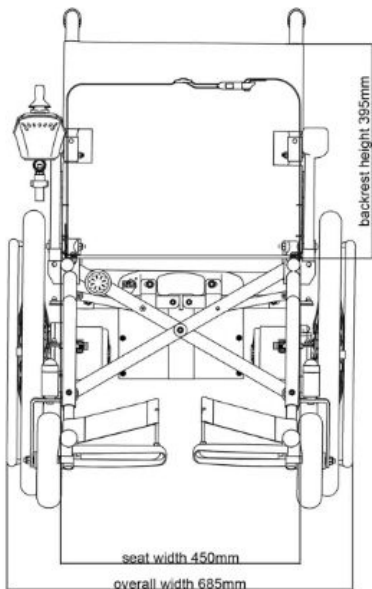
Loading capacity: 100kg

Controller: intelligent controller

Motor: DC 250W *2Pcs

Battery: 12V 12AH *2Pcs

Parking brake: hand brakes



B-70 walking distance from metro Gate-1 Lajpat Nagar II, Delhi-110024
info@iasgroups.in, agendrak57@gmail.com
Mob : +91-7835880155, Ph : 011-41074995

Ideal ArtificialTM limbs Solution

(Prosthetics & Orthotics Health Care Organisation)
Technology Solutions from USA, UK, Scotland & Germany

Toll Free : 18002700278
www.iasgroups.in

Model: FW477

Driving range: 15-20km

Max speed: 6km/h

N.W.: 39.9/45.2kg

Folded width: 385mm

Controller: intelligent controller

Loading capacity: 100kg

Motor: DC 250W *2Pcs

Seat : Urinal Pan

Battery: 12V 12AH *2Pcs

Parking brake: hand brakes



INR 95,400



B-70 walking distance from metro Gate-1 Lajpat Nagar II, Delhi-110024
info@iasgroups.in, agendrak57@gmail.com

Mob : +91-7835880155, Ph : 011-41074995

Ideal ArtificialTM limbs Solution

(Prosthetics & Orthotics Health Care Organisation)
Technology Solutions from USA, UK, Scotland & Germany

Toll Free : 18002700278
www.iasgroups.in

Model: FWA07

Dimension: 870x560x910 mm

Motor 200Wx2 brushless motor

Breaking system: disc brakes

Max Speed: 6km/h

Folded dimension 560x655x300 mm

Loading capacity 110KG

Running distance up to 13km

Battery size 24V 8Ah

Battery weight: 1.5kg

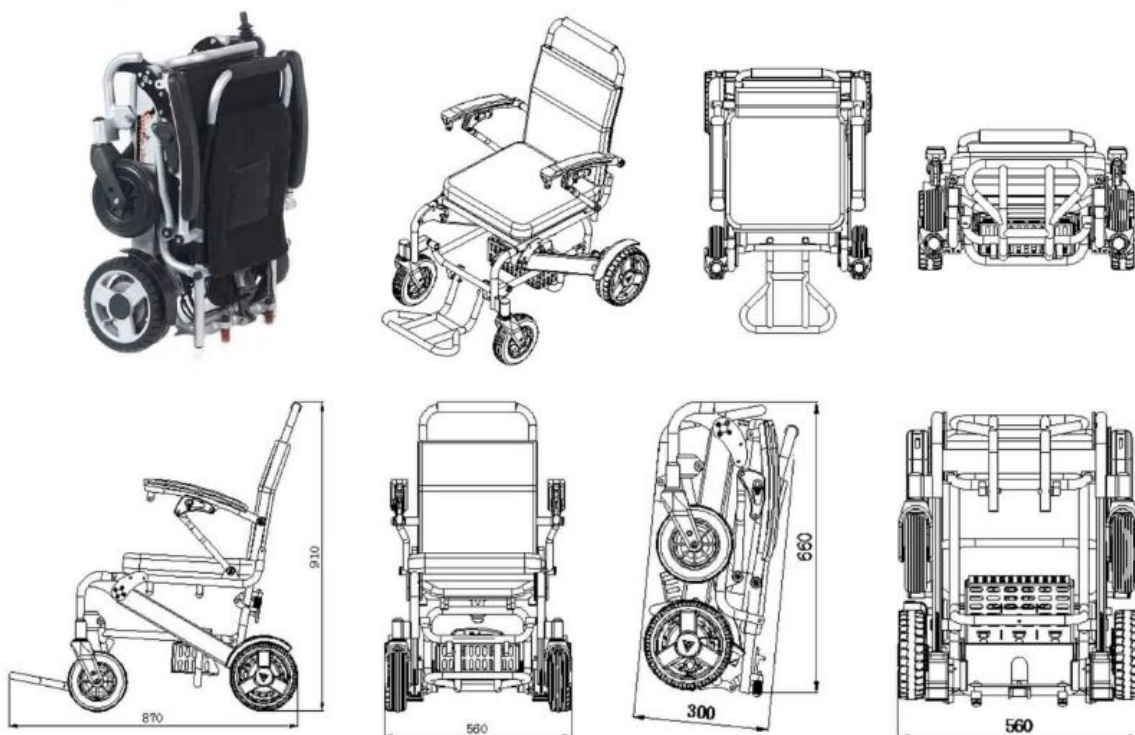
Base weight: 19.5kg

Turning radius: 740mm

Seat dimensions: 16"X17"

Standard electronics 30 amp, brushless motor controller

INR 252,000



B-70 walking distance from metro Gate-1 Lajpat Nagar II, Delhi-110024
info@iasgroups.in, agendrak57@gmail.com

Mob : +91-7835880155, Ph : 011-41074995

Model: FWA06

Loading capacity: 110kg

Maximum speed: 6.5kmph

Overall length: 96cm

Overall width: 58.9cm

Overall height: 93.5cm

Folding length: 58.9cm

Folding width: 69cm

Folding length: 34cm

Drive wheels: 9" PU tire

Front wheels: 7" PU tire

Suspension Spring absorber

Drive train Two-motor, rear-wheel drive

Braking system Intelligent disc brakes

Standard electronics 30 amp, brushless motor controller

Battery charger Off-board, 2 amp

Per charge range Up to 13km

Battery size 24V 8Ah

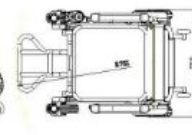
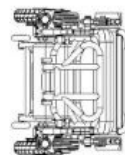
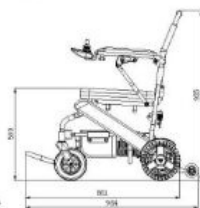
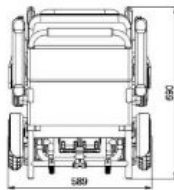
Battery weight: 1.5kg

Base weight: 19.5kg

Seat dimensions: 16"X16"



INR 236,000



B-70 walking distance from metro Gate-1 Lajpat Nagar II, Delhi-110024
info@iasgroups.in, agendrak57@gmail.com

Mob : +91-7835880155, Ph : 011-41074995

Model: FW540

Driving range: 30-35km

Max speed: 20km/h

N.W.: 50kg

Folded width: 350cm

Overall Width : 65cm

Overall Length : 80cm

Footrest : Folding

Parking brake: Manual

Front Tyre : 12"

Rear Tyre : 16"

Battery: 36V 12AH

Loading capacity: 150kg

Hub Motor: 350W*2Pcs



HIGH SPEED WHEELCHAIR



B-70 walking distance from metro Gate-1 Lajpat Nagar II, Delhi-110024
info@iasgroups.in, agendrak57@gmail.com

Mob : +91-7835880155, Ph : 011-41074995

Ideal ArtificialTM limbs Solution

(Prosthetics & Orthotics Health Care Organisation)
Technology Solutions from USA, UK, Scotland & Germany

Toll Free : 18002700278
www.iasgroups.in

Model: FW900

Weight capacity: 120kg

Highest Speed: 6km/h

Brakes: electromagnetic

Driving range: 20km

Motor: DC 24V 200W*2

Batteries: 12V 12Ah*2

Charge time: 6h

Parameters:

Overall length: 1100mm

Folded length: 715mm

Overall width: 60/62cm

Folded width: 325mm

Overall height: 930mm

Folded height: 725mm

Seat width: 45cm

Battery weight: 9kg

Tires (rear): 12 inches

Tires (front): 8 inches

Legrest: Hydraulic Tilt by Remote

Backrest : Hydraulic Tilt by Remote

Weight with batteries: 50kg



B-70 walking distance from metro Gate-1 Lajpat Nagar II, Delhi-110024
info@iasgroups.in, agendrak57@gmail.com

Mob : +91-7835880155, Ph : 011-41074995